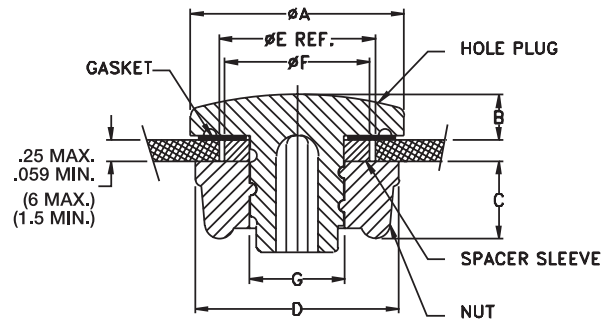


Pluggit!®

- Superior corrosion resistance compared to rust-prone carbon steel and other metallic alternatives helps ensure increased enclosure life expectancy.
- Cost effective when compared to either carbon or stainless steel alternatives.
- Considerably better long-term resistance to UV degradation versus UV-susceptible soft rubber plugs that turn brittle from extreme temperature variations and repeated UV exposure.
- Will not create galvanic corrosion associated with dissimilar metals sometimes used in electrical enclosures.
- Maintains all chemical resistance features of current Robroy Enclosures products.
- Flame retardant material to UL 94V-0.
- A submersion/hosedown rated component for use in electrical enclosures UL recognized to type 4X and 6P.
- IEC tested to IP66 and IP68.
- Temperature Rating: -26° F to +257° F (-32° C to +125° C)
- Patented design since 2017



PLUGGIT!®

KIT NUMBER	ØA	B +0.05" -0.00"	C	D ACROSS FLATS	ØG	CONFIG.	ØE REF. - NOM. HOLE DIA. RANGE	ØF	COMMON INDUSTRY APPLICATIONS
REHP SERIES1	1.00" (25.40)	0.22" (5.59)	0.35" (8.89)	0.88" (22.35)	0.44" (11.18)	CONFIG 1	0.50" - 0.56" (12.70 - 14.29)	N/A	1/2" Dia. Hole
						CONFIG 2	0.63" - 0.69" (16.00 - 17.46)	0.56" (14.22)	5/8" Dia. Hole
						CONFIG 3	0.75" - 0.81" (19.05 - 20.64)	0.68" (17.27)	3/4" Dia. Hole
REHP SERIES1.5	1.20" (30.48)	0.22" (5.59)	0.33" (8.38)	1.04" (26.39)	0.81" (20.57)	CONFIG 3.5	0.88" (22.35)	N/A	1/2" Conduit
REHP SERIES2	1.50" (38.10)	0.22" (5.59)	0.38" (9.63)	1.38" (35.05)	0.85" (21.59)	CONFIG 4	0.88" - 1.00" (22.35 - 25.40)	N/A	1/2" Conduit 22mm PB
						CONFIG 5	1.06" - 1.12" (26.92 - 28.45)	1.03" (26.16)	3/4" Conduit
						CONFIG 6	1.22" - 1.28" (30.73 - 32.51)	1.19" (30.22)	30mm PB
REHP SERIES3	2.00" (50.80)	0.22" (5.59)	0.38" (9.63)	1.88" (47.75)	1.35" (34.29)	CONFIG 7	1.38" - 1.50" (35.05 - 38.10)	N/A	1" Conduit
						CONFIG 8	1.69" - 1.75" (42.67 - 44.45)	1.65" (41.91)	1-1/4" Conduit
REHP SERIES4	2.75" (69.85)	0.22" (5.59)	0.41" (10.41)	2.63" (66.67)	1.97" (50.04)	CONFIG 9	2.00" - 2.12" (50.80 - 53.85)	N/A	1-1/2" Conduit
						CONFIG 10	2.50" - 2.56" (63.50 - 65.09)	2.44" (61.89)	2" Conduit
REHP SERIES5	3.38" (85.85)	0.22" (5.59)	0.34" (8.63)	3.38" (85.85)	2.97" (75.44)	CONFIG 11	3.00" (76.20)	N/A	2-1/2" Conduit
REHP SERIES6	4.00" (101.60)	0.22" (5.59)	0.34" (8.63)	4.00" (101.60)	3.59" (91.19)	CONFIG 12	3.62" (91.95)	N/A	3" Conduit
REHP SERIES7	4.50" (114.30)	0.22" (5.59)	0.38" (9.63)	4.50" (114.30)	4.09" (103.88)	CONFIG 13	4.12" (104.65)	N/A	3-1/2" Conduit
REHP SERIES8	5.00" (127.00)	0.22" (5.59)	0.41" (10.41)	5.00" (127.00)	4.59" (116.58)	CONFIG 14	4.62" (117.35)	N/A	4" Conduit